

## APPENDIX B CONCEPT DESIGN DRAWINGS

---

# EUROBODALLA SOUTHERN STORAGE CONCEPT DESIGN STORAGE CONSTRUCTION



LOCALITY PLAN

DRAWING SCHEDULE	
DRAWING NUMBER	TITLE
30012127-ST-3000	COVER SHEET, LOCALITY PLAN AND DRAWING SCHEDULE
30012127-ST-3001	GENERAL ARRANGEMENT
30012127-ST-3100	EMBANKMENT ARRANGEMENT - PLAN AND SECTIONS
30012127-ST-3101	EMBANKMENT DETAILS
30012127-ST-3200	OUTLET TOWER DETAILS - SHEET 1 OF 2
30012127-ST-3201	OUTLET TOWER DETAILS - SHEET 2 OF 2
30012127-ST-3201	OUTLET VALVE HOUSE AND DETAILS
30012127-ST-3300	SPILLWAY DETAILS - SHEET 1 OF 2
30012127-ST-3301	SPILLWAY DETAILS - SHEET 2 OF 2
30012127-ST-3400	INLET CHUTE DETAILS
30012127-AW-4900	ACCESS ROAD TO STORAGE - PLAN
30012127-AW-4901	ACCESS ROAD TO STORAGE - LONG SECTION AND TYPICAL CROSS SECTION

150 mm ON ORIGINAL

V:\\_Vault\Projects\30012127\CAD\DWG\3000\_Storage\_Construction\30012127-ST-3000.dwg

23 Jun 2017 19:01:09

ISSUE	DATE	AMENDMENT / ISSUE DESCRIPTION	APPROVAL
A	21/03/2017	ISSUED FOR CONCEPT DESIGN	RW
B	23/06/2017	ISSUED FOR CONCEPT DESIGN	RW

TITLE	NAME
DRAFTSMAN	J.PARISI
DRAFTING CHECK	A. SERATO-LIUZZI
DESIGNER	C.LOH
DESIGN CHECK	R. WESTMORE
PROJECT MANAGER	D.EVANS
PROJECT DIRECTOR	B.TILBURY

SCALES AT A1 SIZE DRAWING

DESIGNER



Member of the Surbana Jurong Group

CLIENT

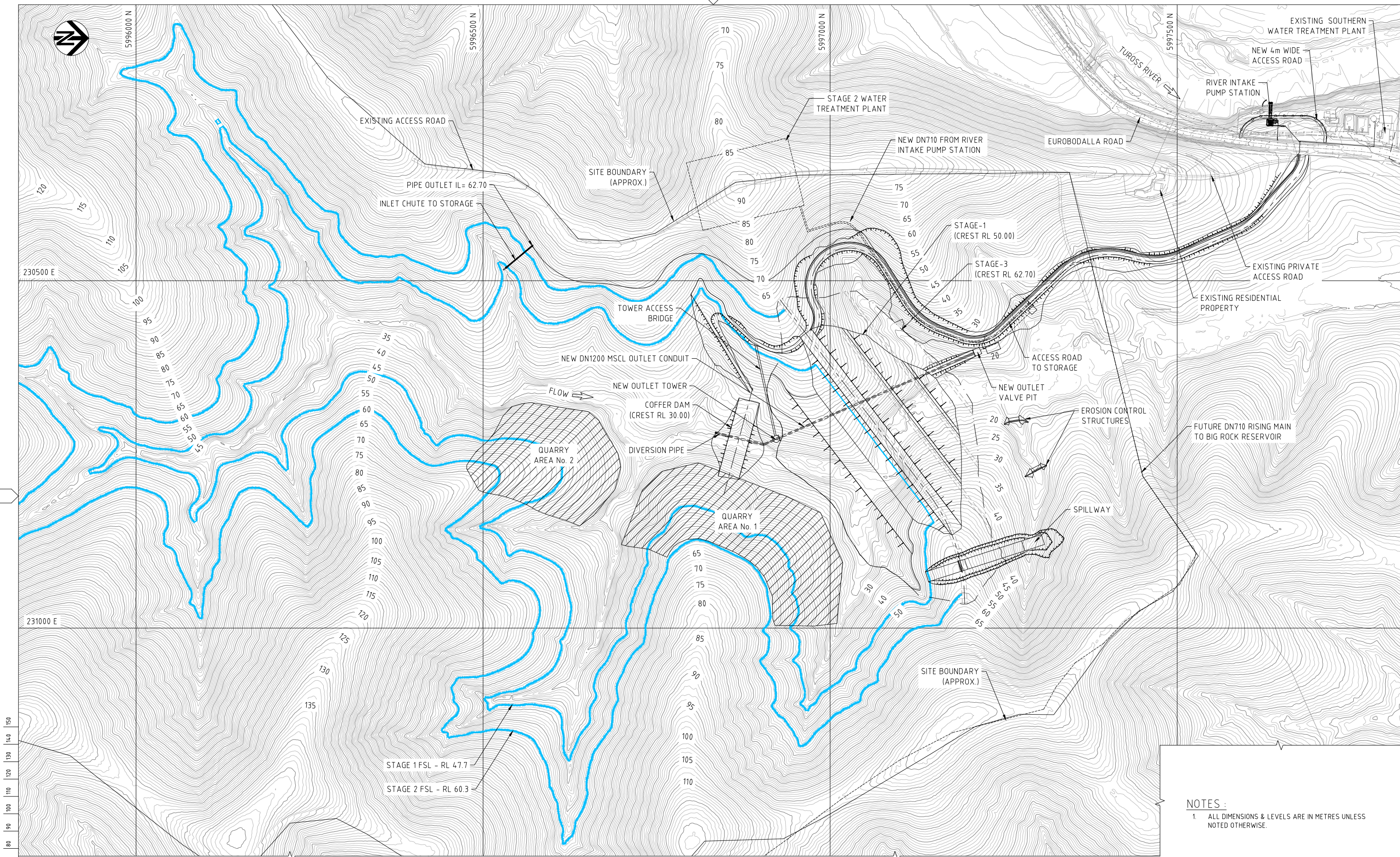


APPROVED \_\_\_\_\_ DATE \_\_\_\_\_

PROJECT TITLE

EUROBODALLA SHIRE COUNCIL  
EUROBODALLA SOUTHERN STORAGE  
STORAGE CONSTRUCTION  
COVER SHEET, LOCALITY PLAN  
AND DRAWING SCHEDULE

SCALE	DRAWING STATUS	PROJECT / DRAWING No.	ISSUE
AS NOTED	CONCEPT	30012127-ST-3000	B



STAGE 1 FSL - RL 47.7  
 STAGE 2 FSL - RL 60.3

**NOTES:**  
 1. ALL DIMENSIONS & LEVELS ARE IN METRES UNLESS NOTED OTHERWISE.

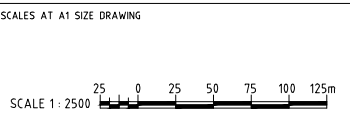
**GENERAL ARRANGEMENT**  
 SCALE (A1) 1:2500

150 mm ON ORIGINAL

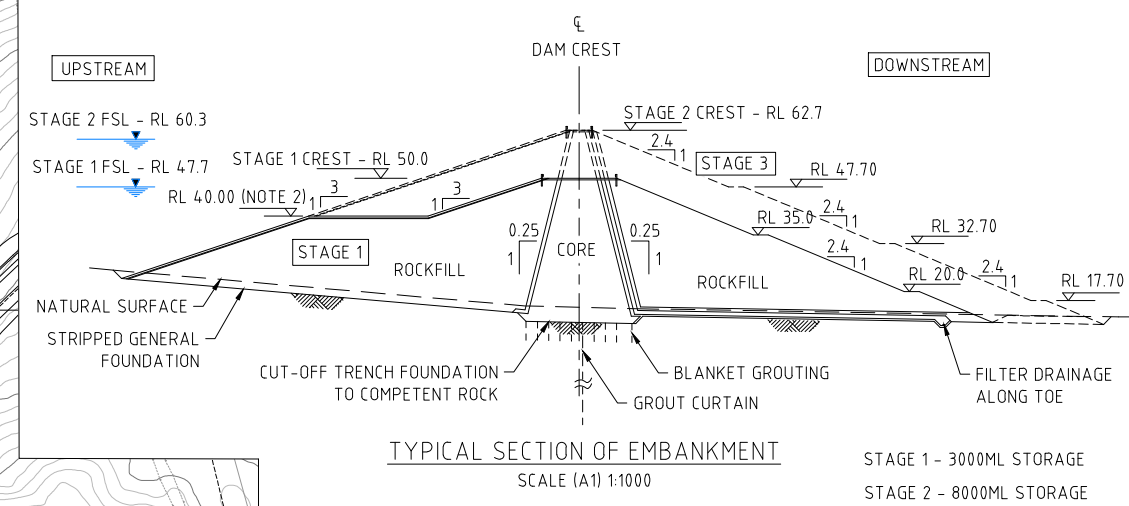
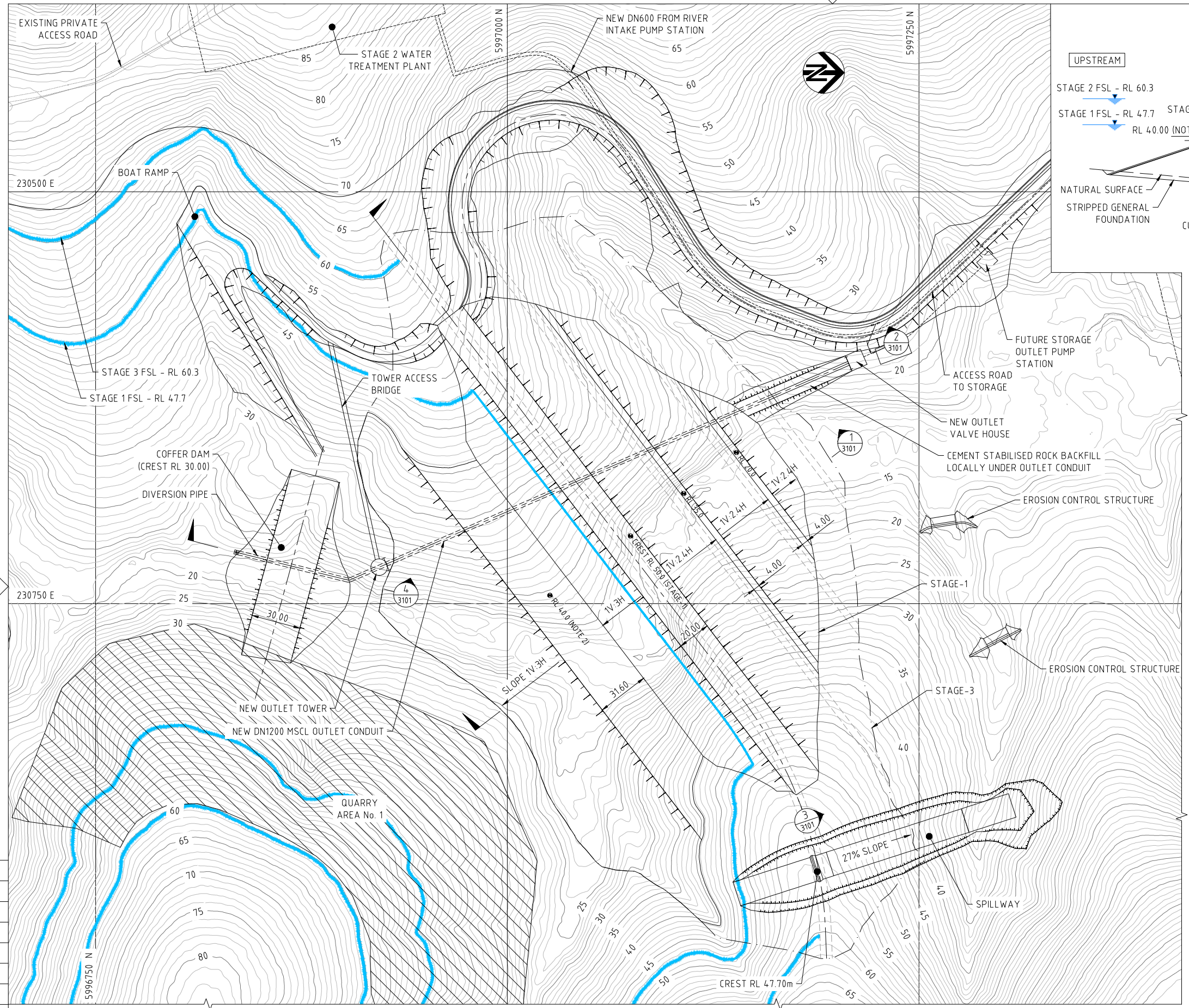
ISSUE	DATE	AMENDMENT / ISSUE DESCRIPTION	APPROVAL
A	21/03/2017	ISSUED FOR CONCEPT DESIGN	RW
B	23/06/2017	ISSUED FOR CONCEPT DESIGN	RW

23 Jun 2017 19:04:37

TITLE	NAME
DRAFTSMAN	H. ARORA
DRAFTING CHECK	J. PARISI
DESIGNER	C. LOH
DESIGN CHECK	R. WESTMORE
PROJECT MANAGER	D. EVANS
PROJECT DIRECTOR	B. TILBURY



PROJECT TITLE		EUROBODALLA SHIRE COUNCIL EUROBODALLA SOUTHERN STORAGE STORAGE CONSTRUCTION GENERAL ARRANGEMENT		
SCALE	DRAWING STATUS	PROJECT / DRAWING No.	ISSUE	
AS NOTED	CONCEPT	30012127-ST-3001	B	
APPROVED	DATE			



EMBANKMENT ARRANGEMENT  
SCALE (A1) 1:1250

NOTES:

- ALL DIMENSIONS & LEVELS ARE IN METRES UNLESS NOTED OTHERWISE.
- ELEVATION OF UPSTREAM BERM IS SUBJECT TO CONFIRMATION AND IS DEPENDENT ON THE ALLOWABLE RESERVOIR DRAWDOWN DURING THE STAGE 3 RAISING WORKS.


150 mm ON ORIGINAL

ISSUE	DATE	AMENDMENT / ISSUE DESCRIPTION	APPROVAL
A	21/03/2017	ISSUED FOR CONCEPT DESIGN	RW
B	23/06/2017	ISSUED FOR CONCEPT DESIGN	RW

TITLE	NAME
DRAFTSMAN	H. ARORA
DRAFTING CHECK	J. PARISI
DESIGNER	C. LOH
DESIGN CHECK	R. WESTMORE
PROJECT MANAGER	D. EVANS
PROJECT DIRECTOR	B. TILBURY

SCALES AT A1 SIZE DRAWING	
SCALE 1:1250	0 12.5 25 37.5 50 62.5m
SCALE 1:1000	0 10 20 30 40 50m

DESIGNER



Member of the Surbana Jurong Group

CLIENT

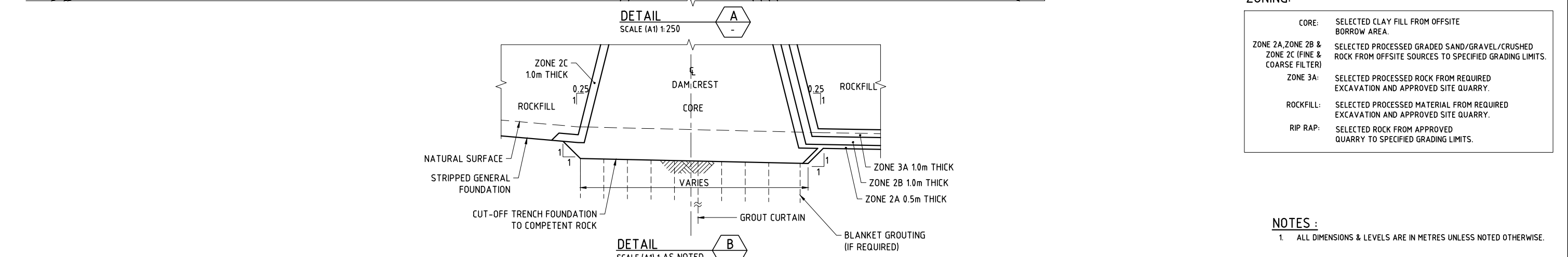
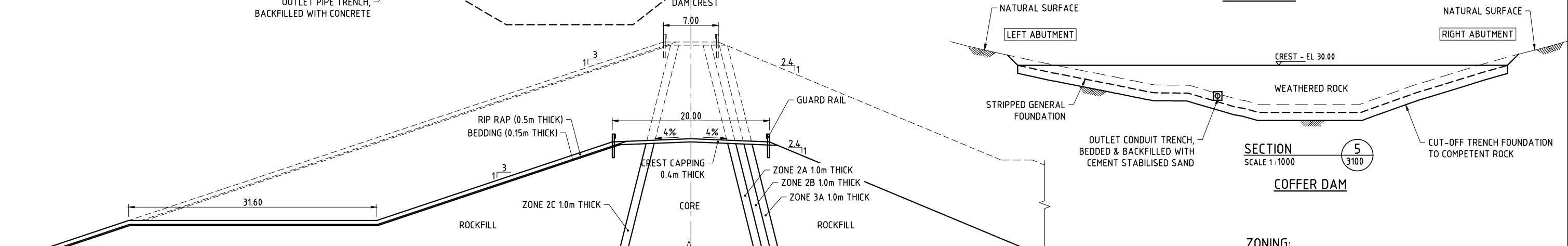
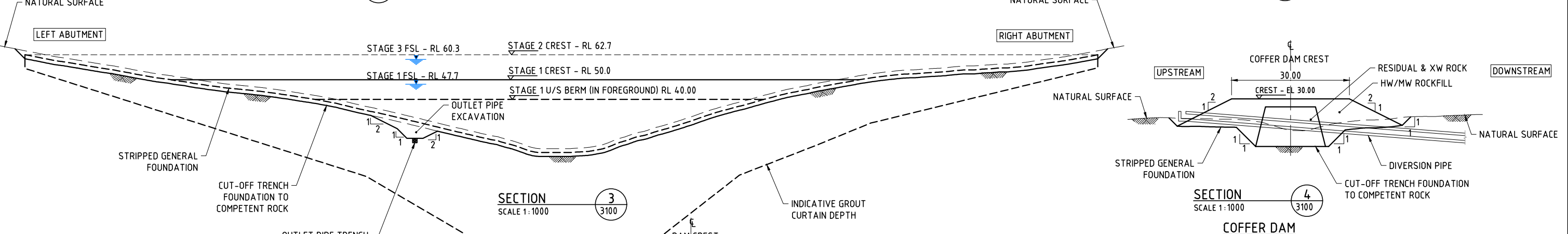
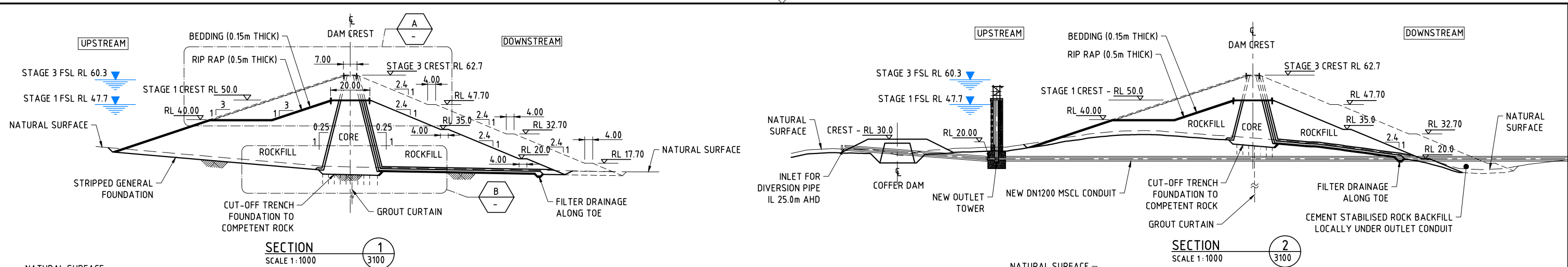


EUROBODALLA SHIRE COUNCIL

PROJECT TITLE

EUROBODALLA SOUTHERN STORAGE  
STORAGE CONSTRUCTION  
EMBANKMENT ARRANGEMENT  
PLAN AND SECTION

SCALE	DRAWING STATUS	PROJECT / DRAWING No.	ISSUE
AS NOTED	CONCEPT	30012127-ST-3100	B



**ZONING:**

CORE:	SELECTED CLAY FILL FROM OFFSITE BORROW AREA.
ZONE 2A, ZONE 2B & ZONE 2C (FINE & COARSE FILTER)	SELECTED PROCESSED GRADED SAND/GRAVEL/CRUSHED ROCK FROM OFFSITE SOURCES TO SPECIFIED GRADING LIMITS.
ZONE 3A:	SELECTED PROCESSED ROCK FROM REQUIRED EXCAVATION AND APPROVED SITE QUARRY.
ROCKFILL:	SELECTED PROCESSED MATERIAL FROM REQUIRED EXCAVATION AND APPROVED SITE QUARRY.
RIP RAP:	SELECTED ROCK FROM APPROVED QUARRY TO SPECIFIED GRADING LIMITS.

**NOTES:**  
 1. ALL DIMENSIONS & LEVELS ARE IN METRES UNLESS NOTED OTHERWISE.

150 mm ON ORIGINAL

ISSUE	DATE	AMENDMENT / ISSUE DESCRIPTION	APPROVAL
A	21/03/2017	ISSUED FOR CONCEPT DESIGN	RW
B	23/06/2017	ISSUED FOR CONCEPT DESIGN	RW

TITLE	NAME
DRAFTSMAN	H.ARORA
DRAFTING CHECK	J.PARISI
DESIGNER	C.LOH
DESIGN CHECK	R.WESTMORE
PROJECT MANAGER	D.EVANS
PROJECT DIRECTOR	B.TILBURY

SCALES AT A1 SIZE DRAWING

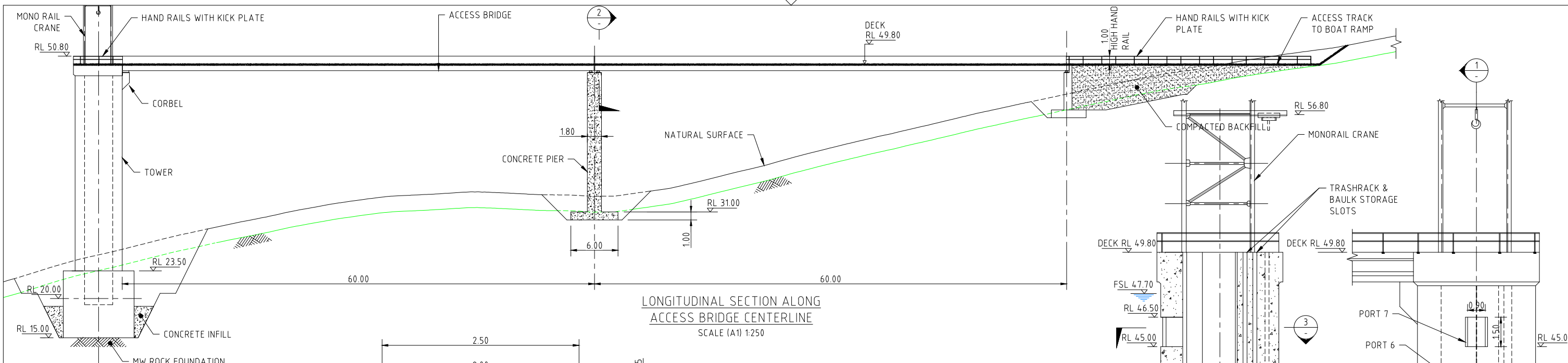
SCALE 1:250 0 2.50 5.00 7.50 10.00 12.50m

SCALE 1:500 0 5 10 15 20 25m

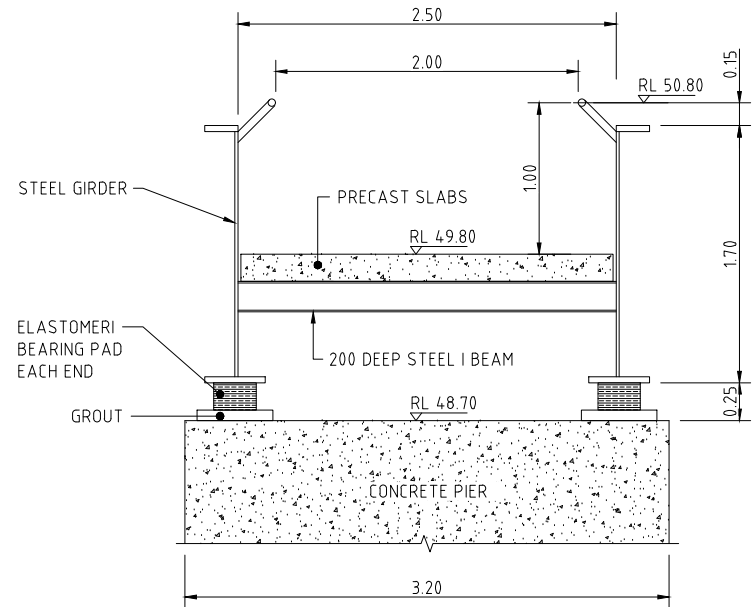
SCALE 1:1000 0 10 20 30 40 50m



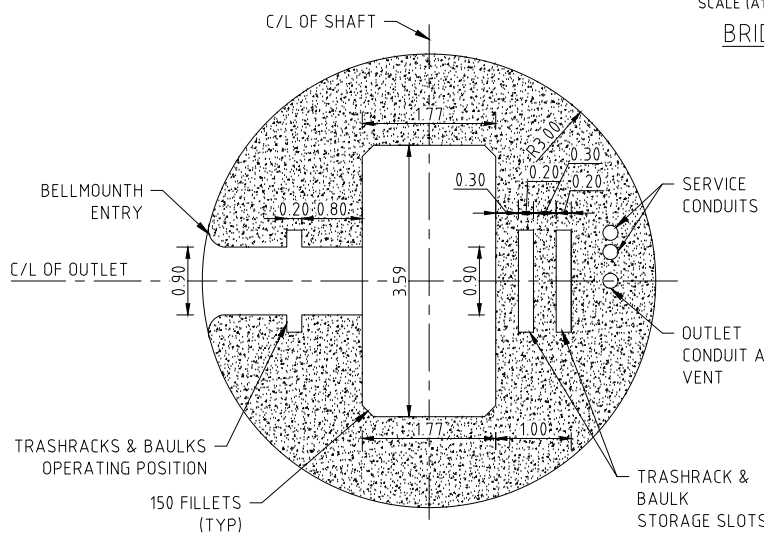
PROJECT TITLE	EUROBODALLA SHIRE COUNCIL EUROBODALLA SOUTHERN STORAGE STORAGE CONSTRUCTION EMBANKMENT DETAILS		
SCALE	DRAWING STATUS	PROJECT / DRAWING No.	ISSUE
AS NOTED	CONCEPT	30012127-ST-3101	B
APPROVED	DATE		



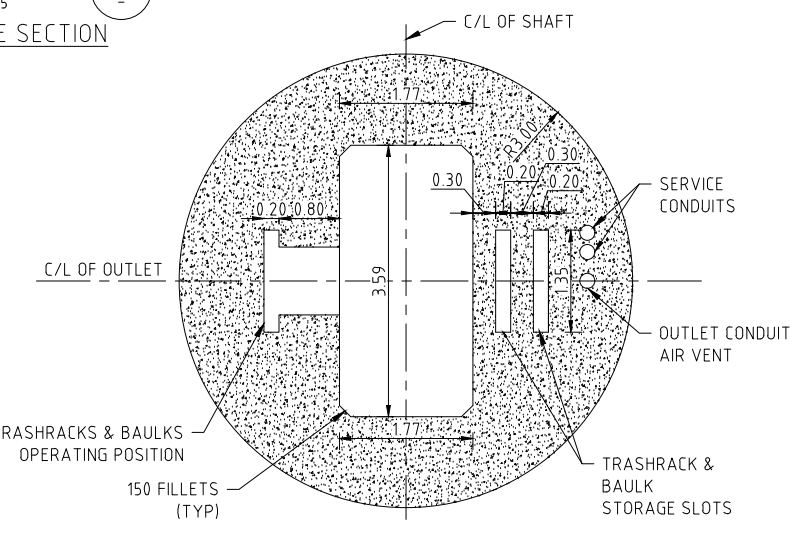
LONGITUDINAL SECTION ALONG  
ACCESS BRIDGE CENTERLINE  
SCALE (A1) 1:250



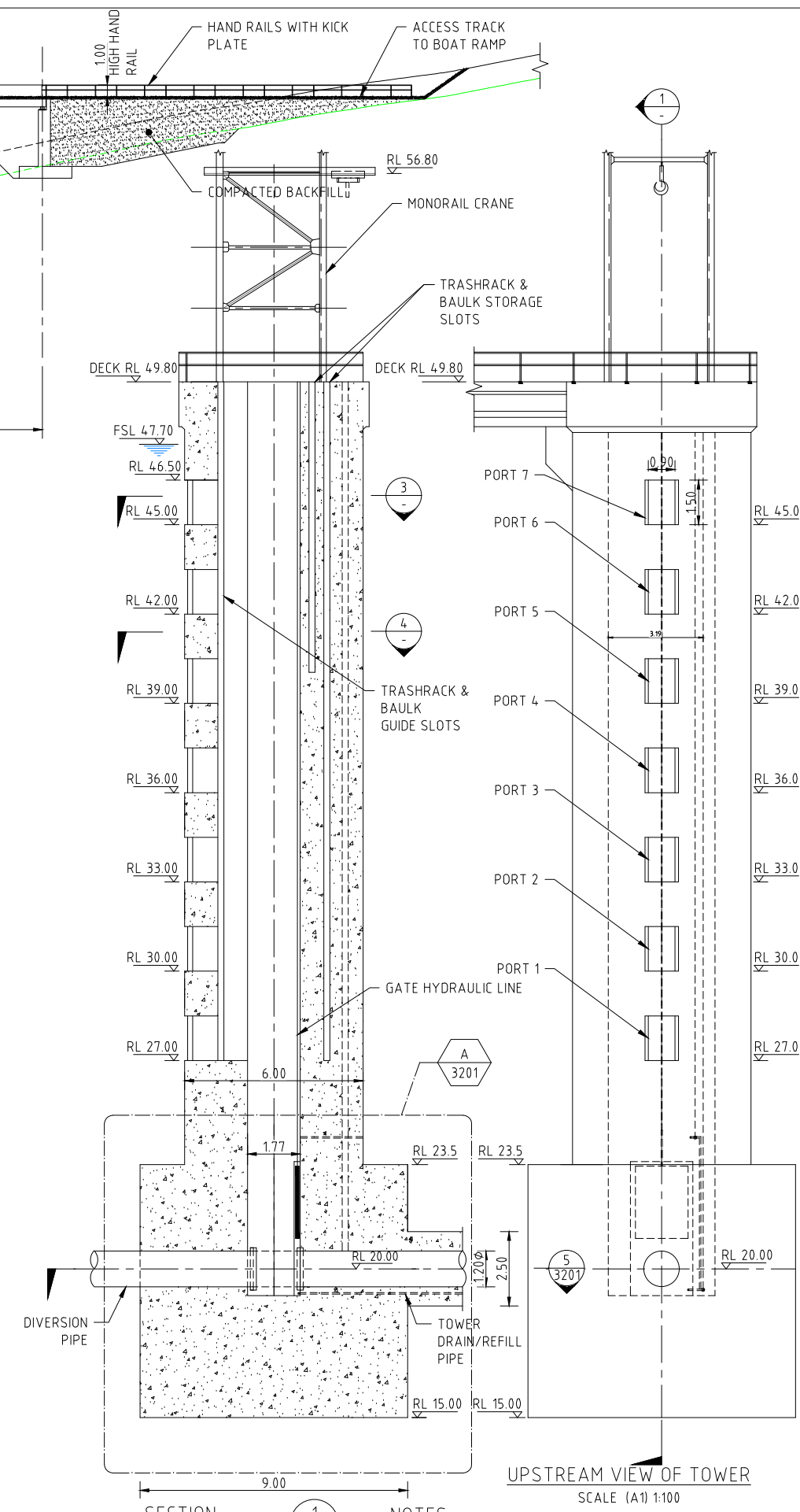
SECTION 2  
SCALE (A1) 1:25



SECTION 3  
SCALE (A1) 1:50



SECTION 4  
SCALE (A1) 1:50



TOWER SECTION 1  
SCALE (A1) 1:AS NOTED

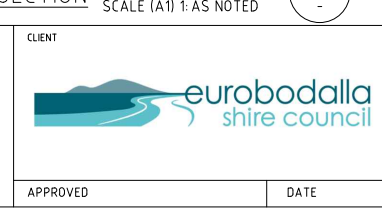
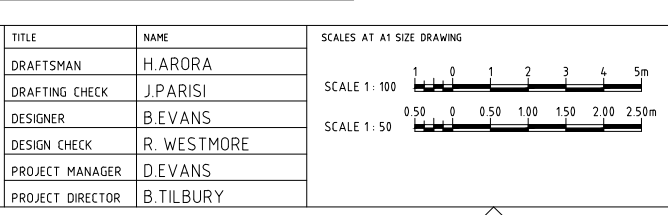
UPSTREAM VIEW OF TOWER  
SCALE (A1) 1:100

NOTES:  
1. ALL DIMENSIONS & LEVELS ARE IN METRES UNLESS NOTED OTHERWISE

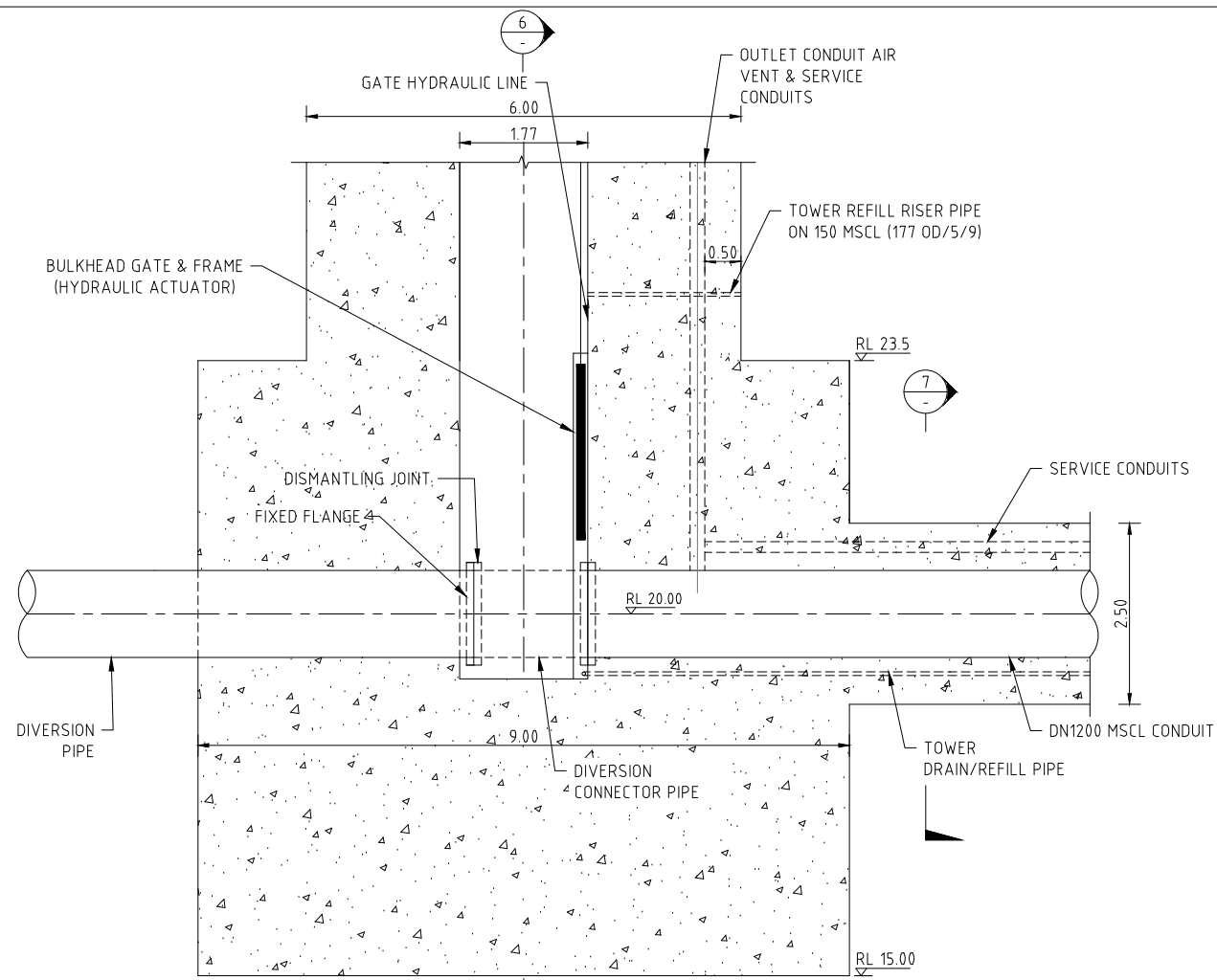
150 mm ON ORIGINAL

ISSUE	DATE	AMENDMENT / ISSUE DESCRIPTION	APPROVAL
A	21/03/2017	ISSUED FOR CONCEPT DESIGN	RW
B	23/06/2017	ISSUED FOR CONCEPT DESIGN	RW

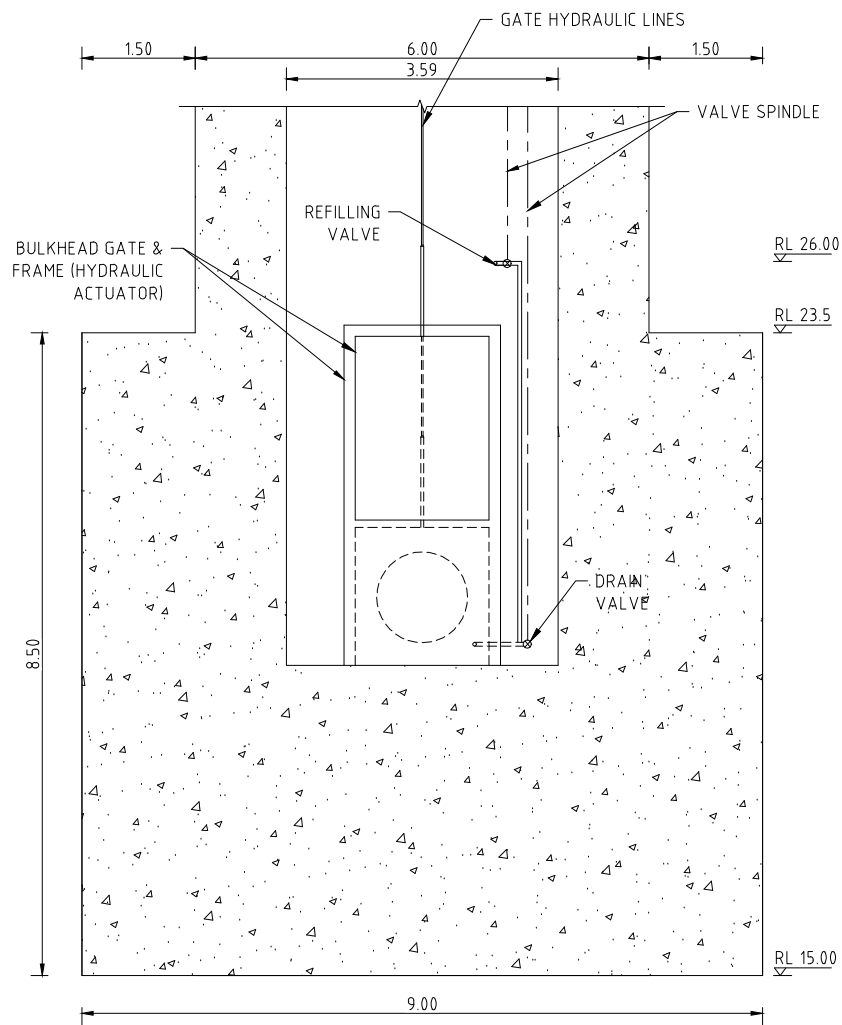
TITLE	NAME
DRAFTSMAN	H.ARORA
DRAFTING CHECK	J.PARISI
DESIGNER	B.EVANS
DESIGN CHECK	R.WESTMORE
PROJECT MANAGER	D.EVANS
PROJECT DIRECTOR	B.TILBURY



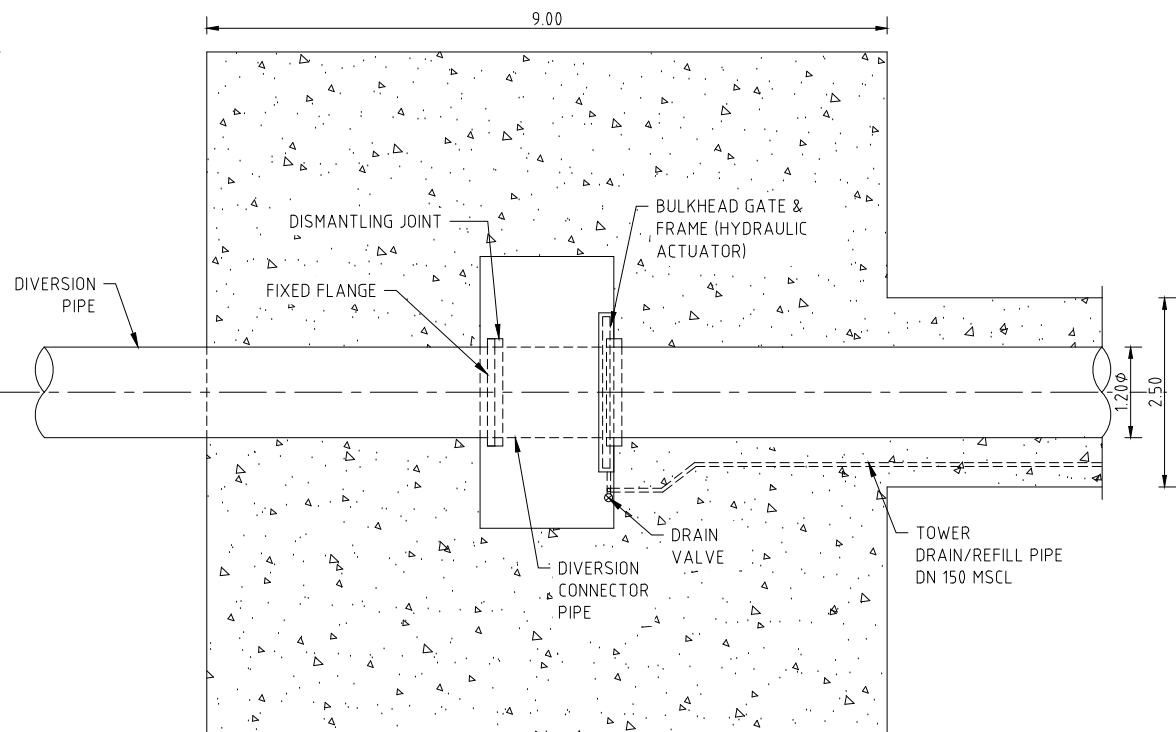
PROJECT TITLE	SCALE	DRAWING STATUS	PROJECT / DRAWING No.	ISSUE
EUROBODALLA SHIRE COUNCIL EUROBODALLA SOUTHERN STORAGE STORAGE CONSTRUCTION OUTLET TOWER DETAILS SHEET 1 OF 2	AS NOTED	CONCEPT	30012127-ST-3200	B



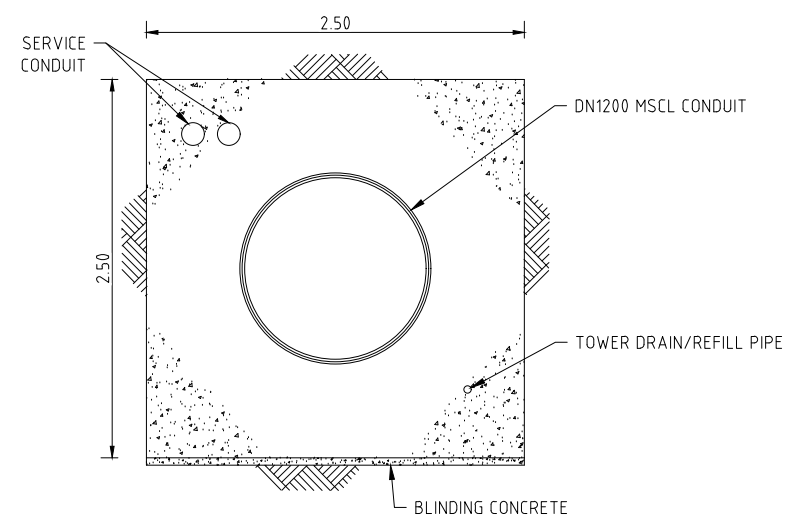
DETAIL  
SCALE (A1) 1:50



SECTION  
SCALE (A1) 1:50



SECTION  
SCALE (A1) 1:50



SECTION  
SCALE (A1) 1:AS NOTED  
CONDUIT SECTION

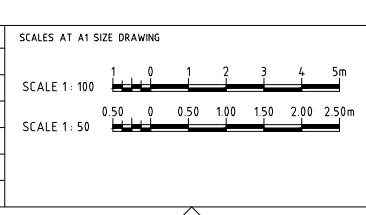
NOTES:  
1. ALL DIMENSIONS & LEVELS ARE IN METRES UNLESS NOTED OTHERWISE

150 mm ON ORIGINAL

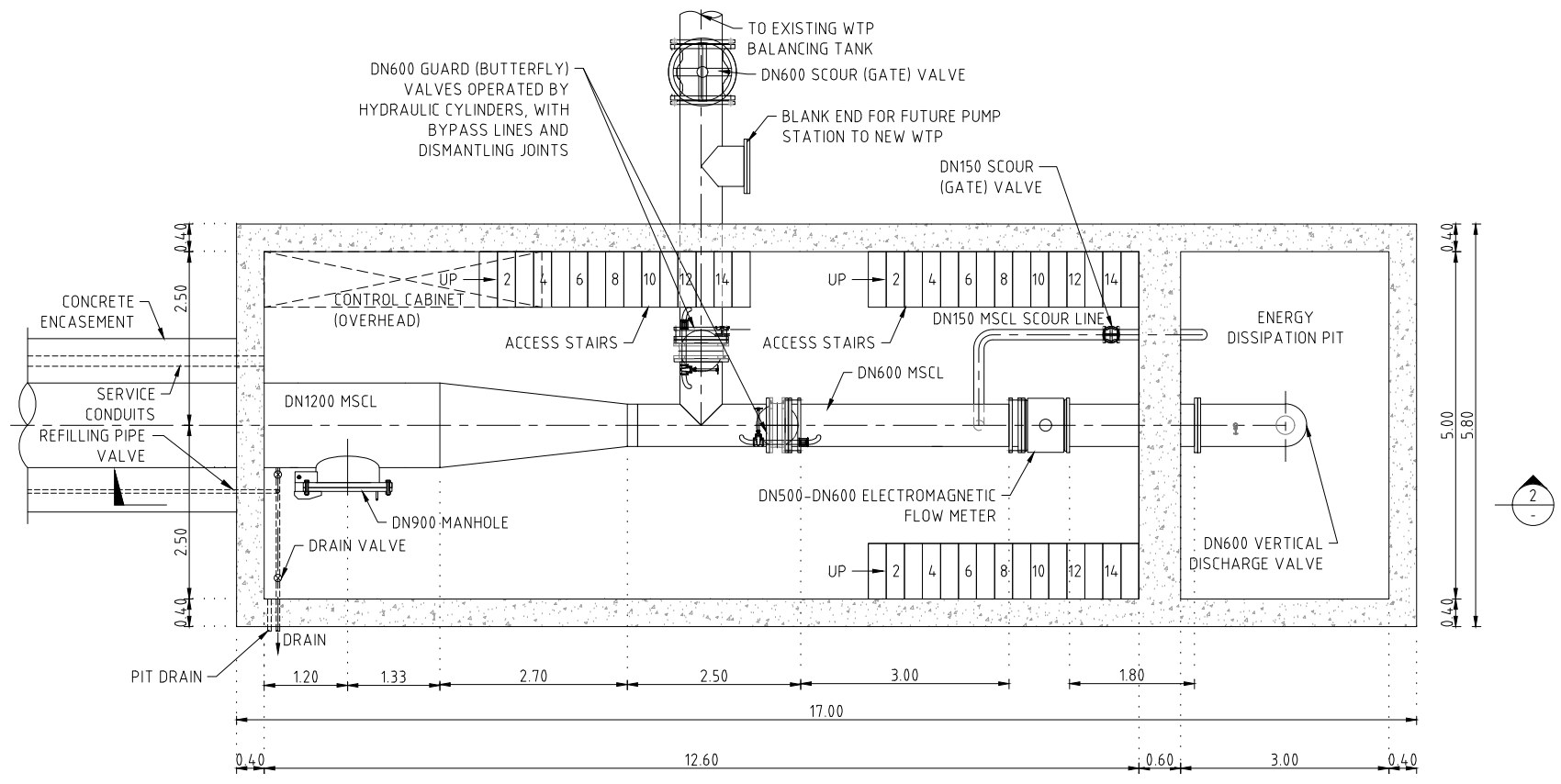
ISSUE	DATE	AMENDMENT / ISSUE DESCRIPTION	APPROVAL
A	21/03/2017	ISSUED FOR CONCEPT DESIGN	RW
B	23/06/2017	ISSUED FOR CONCEPT DESIGN	RW

TITLE	NAME
DRAFTSMAN	H.ARORA
DRAFTING CHECK	J.PARISI
DESIGNER	B.EVANS
DESIGN CHECK	R.WESTMORE
PROJECT MANAGER	D.EVANS
PROJECT DIRECTOR	B.TILBURY

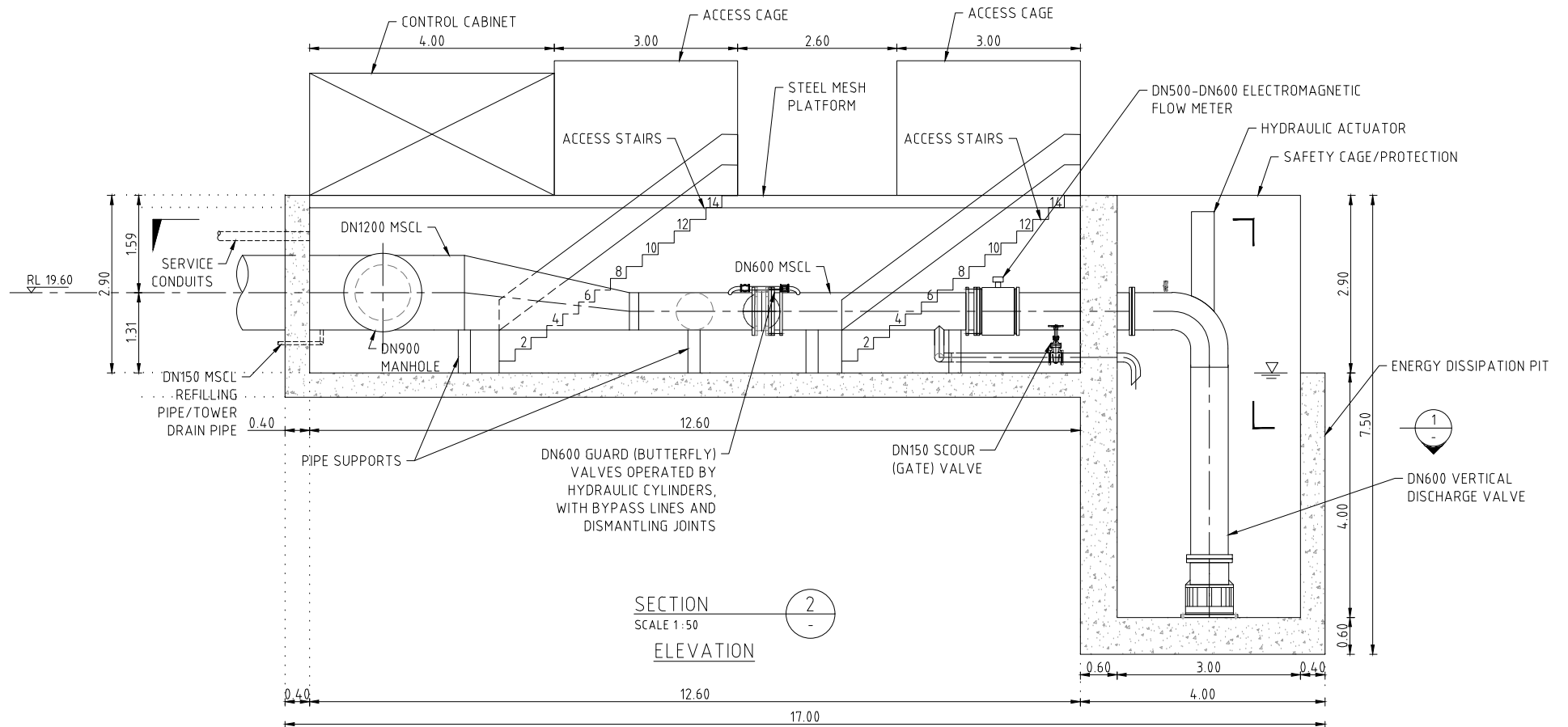
SCALE	SCALE
SCALE 1:100	SCALE 1:50



PROJECT TITLE	SCALE	DRAWING STATUS	PROJECT / DRAWING No.	ISSUE
EUROBODALLA SHIRE COUNCIL EUROBODALLA SOUTHERN STORAGE STORAGE CONSTRUCTION OUTLET TOWER DETAILS SHEET 2 OF 2	AS NOTED	CONCEPT	30012127-ST-3201	B



SECTION 1  
SCALE 1:50  
PLAN VIEW



SECTION 2  
SCALE 1:50  
ELEVATION

NOTES:  
1. ALL DIMENSIONS & LEVELS ARE IN METRES UNLESS NOTED OTHERWISE

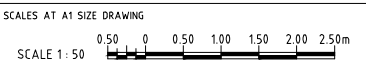
150 mm ON ORIGINAL

V:\\_Vault\Projects\30012127\CAD\DWG\3000\_Storage\_Construction\30012127-ST-3202.dwg

23 Jun 2017 19:24:47

ISSUE	DATE	AMENDMENT / ISSUE DESCRIPTION	APPROVAL
A	21/03/2017	ISSUED FOR CONCEPT DESIGN	RW
B	23/06/2017	ISSUED FOR CONCEPT DESIGN	RW

TITLE	NAME
DRAFTSMAN	H.ARORA
DRAFTING CHECK	J.PARISI
DESIGNER	T.SRITAL-ON
DESIGN CHECK	R.WESTMORE
PROJECT MANAGER	D.DEVANS
PROJECT DIRECTOR	B.TILBURY



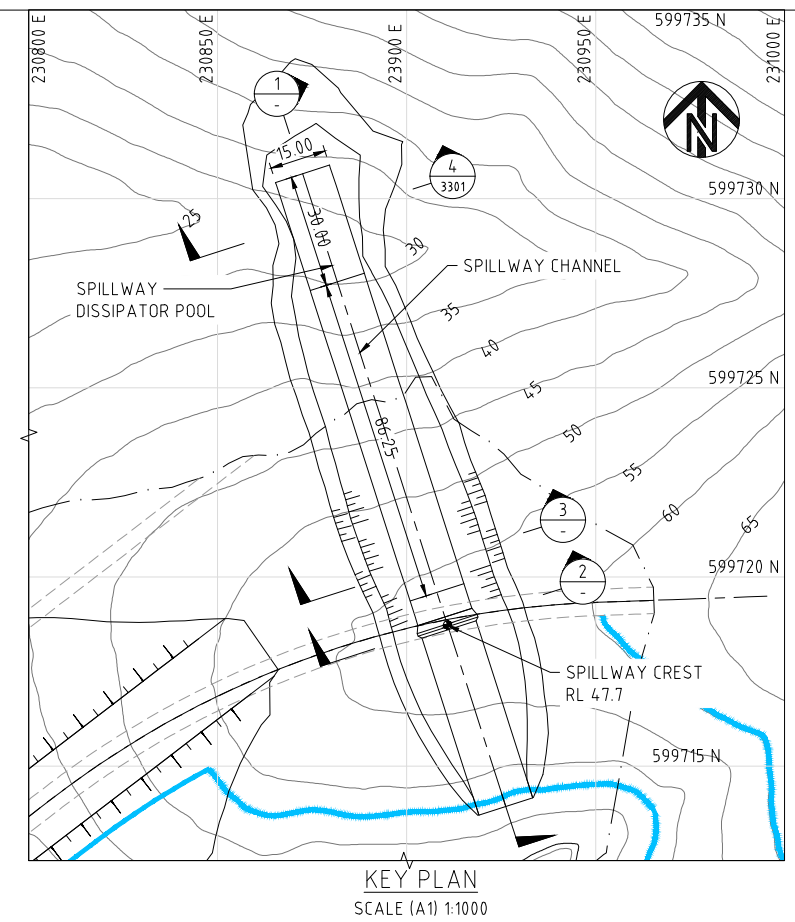
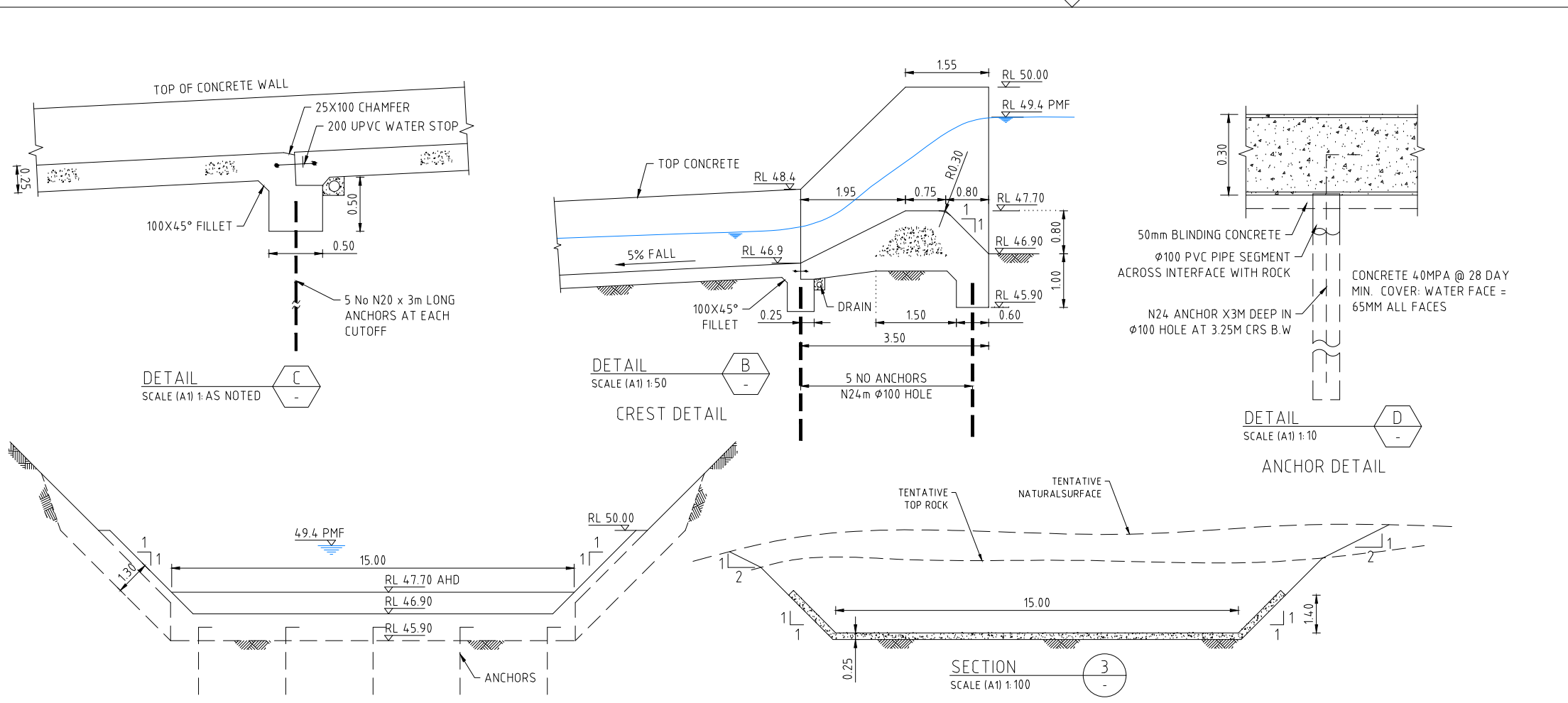
DESIGNER

CLIENT

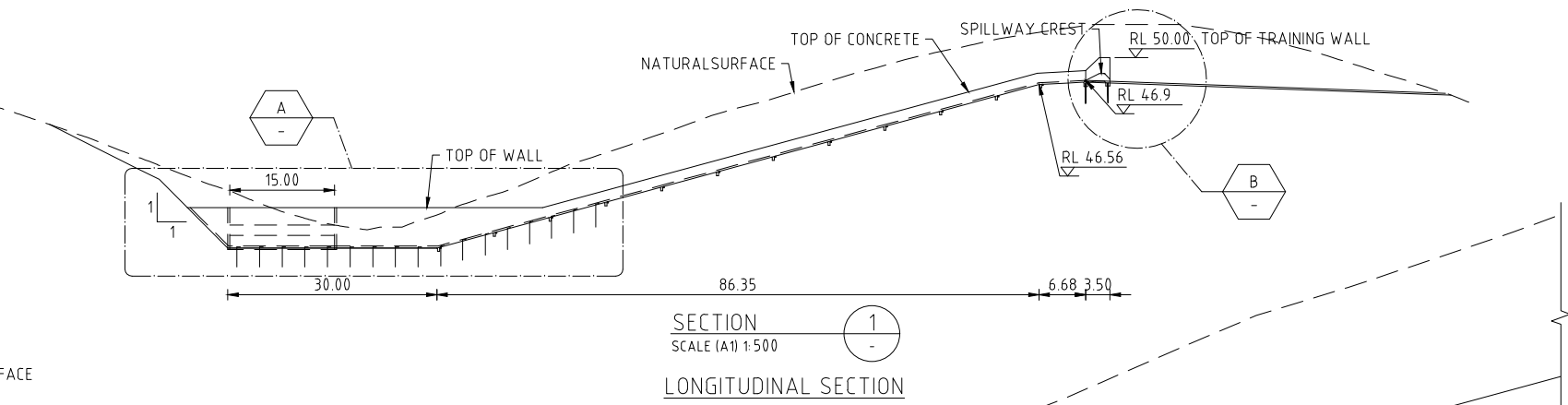
APPROVED \_\_\_\_\_ DATE \_\_\_\_\_

PROJECT TITLE		SCALE	DRAWING STATUS	PROJECT / DRAWING No.	ISSUE
EUROBODALLA SHIRE COUNCIL EUROBODALLA SOUTHERN STORAGE STORAGE CONSTRUCTION OUTLET VALVE HOUSE AND DETAILS		AS NOTED	CONCEPT	30012127-ST-3202	B

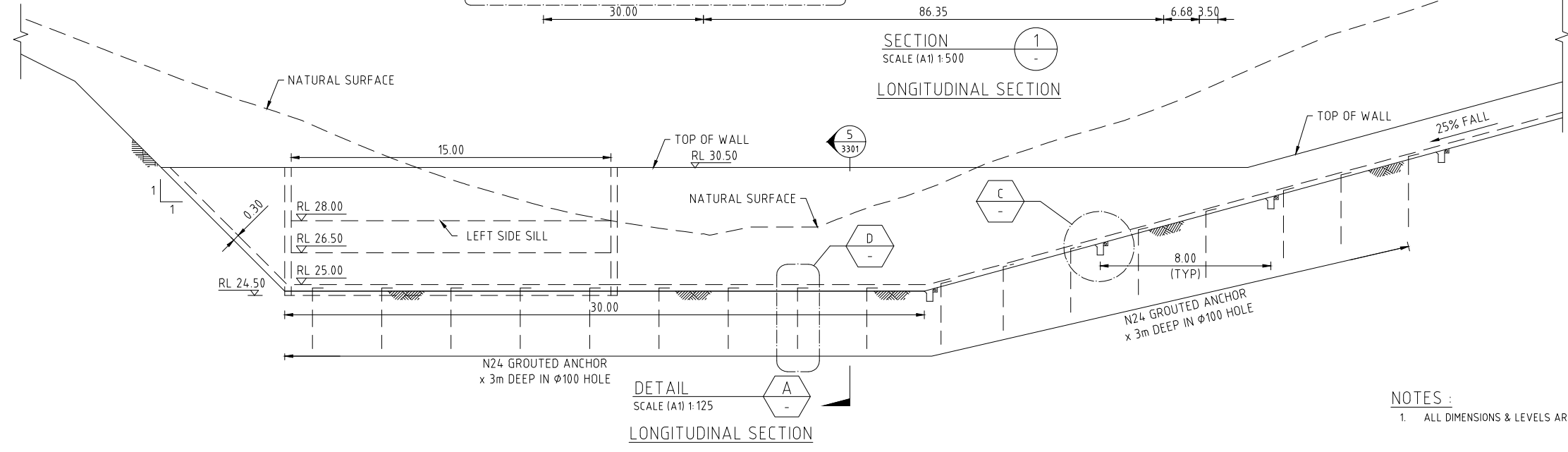




SECTION 2  
SCALE (A1) 1:100  
SPILLWAY CREST  
UPSTREAM ELEVATION



SECTION 1  
SCALE (A1) 1:500  
LONGITUDINAL SECTION



DETAIL A  
SCALE (A1) 1:125  
LONGITUDINAL SECTION

NOTES:  
1. ALL DIMENSIONS & LEVELS ARE IN METRES UNLESS NOTED OTHERWISE.

150 mm ON ORIGINAL

V:\\_Vault\Projects\30012127\CAD\DWG\3000\_Storage\_Construction\30012127-ST-3300.dwg

23 Jun 2017 19:27:30

ISSUE	DATE	AMENDMENT / ISSUE DESCRIPTION	APPROVAL
A	21/03/2017	ISSUED FOR CONCEPT DESIGN	RW
B	23/06/2017	ISSUED FOR CONCEPT DESIGN	RW

TITLE	NAME
DRAFTSMAN	H.ARORA
DRAFTING CHECK	J.PARISI
DESIGNER	B.EVANS
DESIGN CHECK	R.WESTMORE
PROJECT MANAGER	D.EVANS
PROJECT DIRECTOR	B.TILBURY

SCALES AT A1 SIZE DRAWING
SCALE 1:25 0 0.25 0.50 0.75 1.00 1.25m
SCALE 1:50 0 0.50 1.00 1.50 2.00 2.50m
SCALE 1:125 0 1.25 2.50 3.75 5.0 6.25m
SCALE 1:500 0 5 10 15 20 25m

DESIGNER

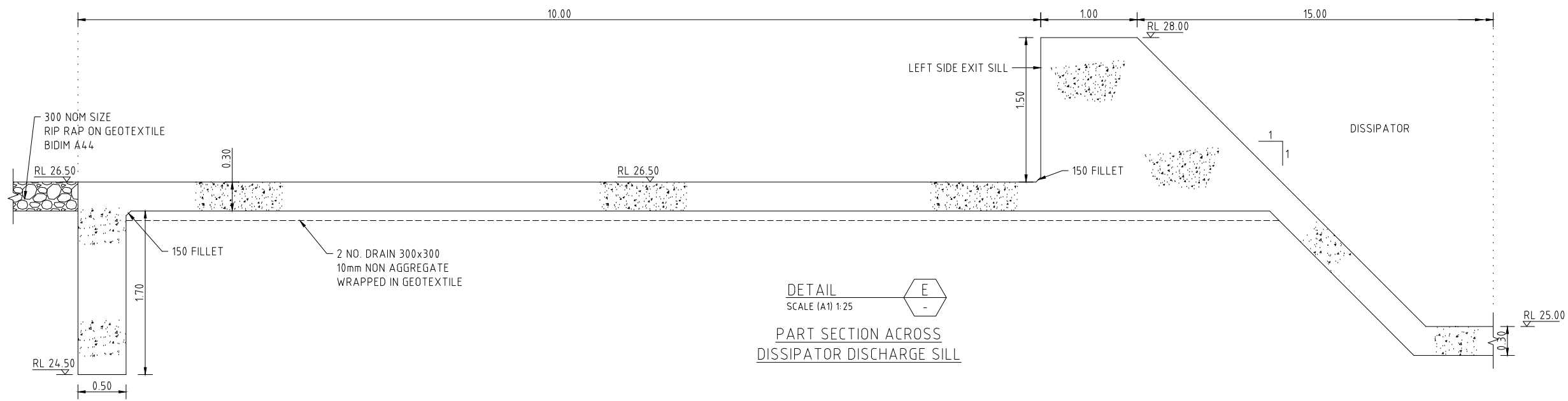


Member of the Surbana Jurong Group

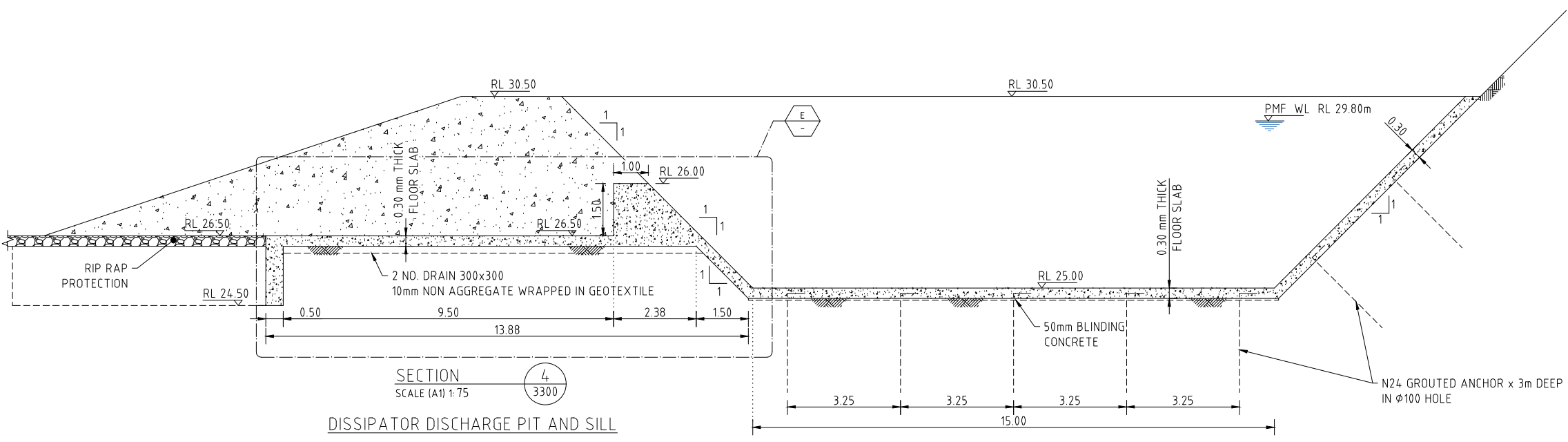
CLIENT



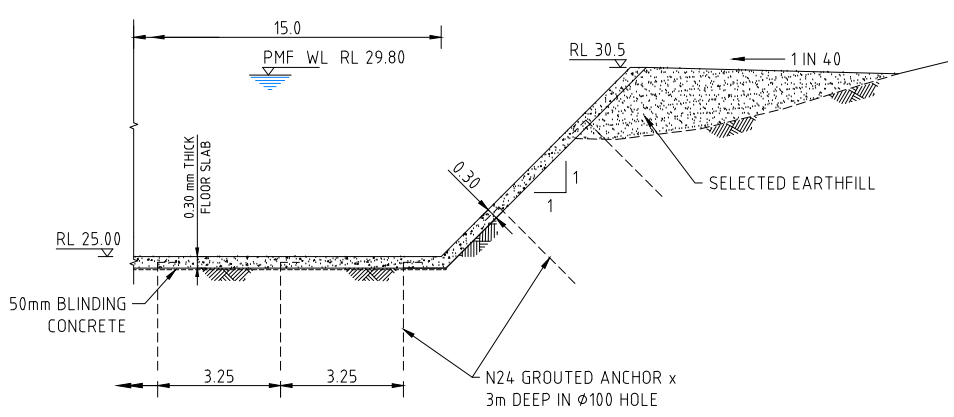
PROJECT TITLE		SCALE	DRAWING STATUS	PROJECT / DRAWING No.	ISSUE
EUROBODALLA SHIRE COUNCIL EUROBODALLA SOUTHERN STORAGE STORAGE CONSTRUCTION SPILLWAY DETAILS SHEET 1 OF 2		AS NOTED	CONCEPT	30012127-ST-3300	B
APPROVED	DATE				



DETAIL  
SCALE (A1) 1:25  
PART SECTION ACROSS  
DISSIPATOR DISCHARGE SILL



SECTION 4  
SCALE (A1) 1:75  
DISSIPATOR DISCHARGE PIT AND SILL



SECTION 5  
SCALE (A1) 1: AS NOTED

NOTES:  
1. ALL DIMENSIONS & LEVELS ARE IN METRES UNLESS NOTED OTHERWISE.

150 mm ON ORIGINAL

ISSUE	DATE	AMENDMENT / ISSUE DESCRIPTION	APPROVAL
A	21/03/2017	ISSUED FOR CONCEPT DESIGN	RW
B	23/06/2017	ISSUED FOR CONCEPT DESIGN	RW

TITLE	NAME
DRAFTSMAN	H.ARORA
DRAFTING CHECK	J.PARISI
DESIGNER	B.EVANS
DESIGN CHECK	R.WESTMORE
PROJECT MANAGER	D.EVANS
PROJECT DIRECTOR	B.TILBURY

SCALE	SCALE AT A1 SIZE DRAWING
SCALE 1:25	0.25 0 0.25 0.50 0.75 1.00 1.25m
SCALE 1:75	0.75 0 0.75 1.50 2.25 3.0 3.75m
SCALE 1:100	1 0 1 2 3 4 5m

DESIGNER

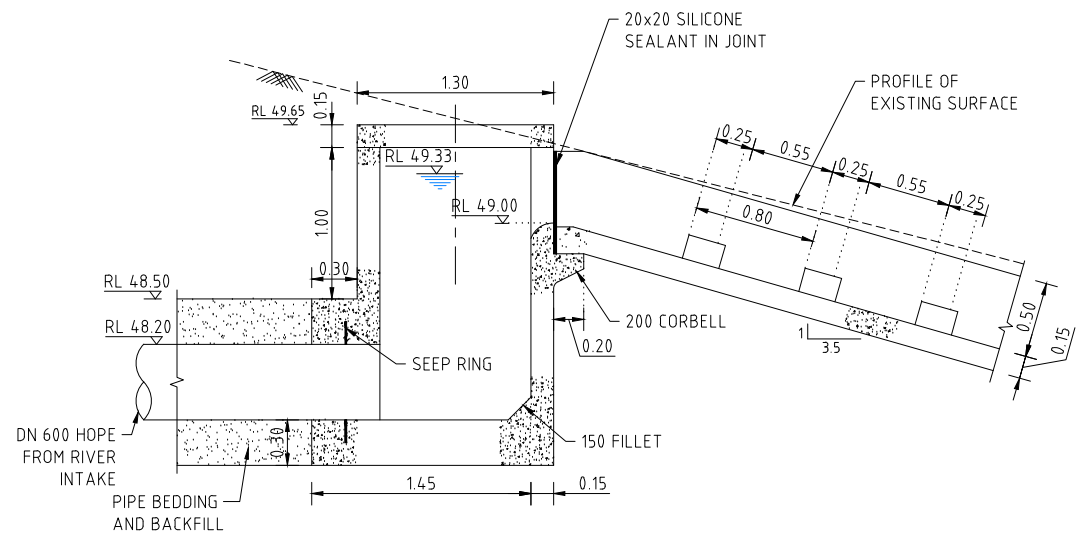


Member of the Surbana Jurong Group

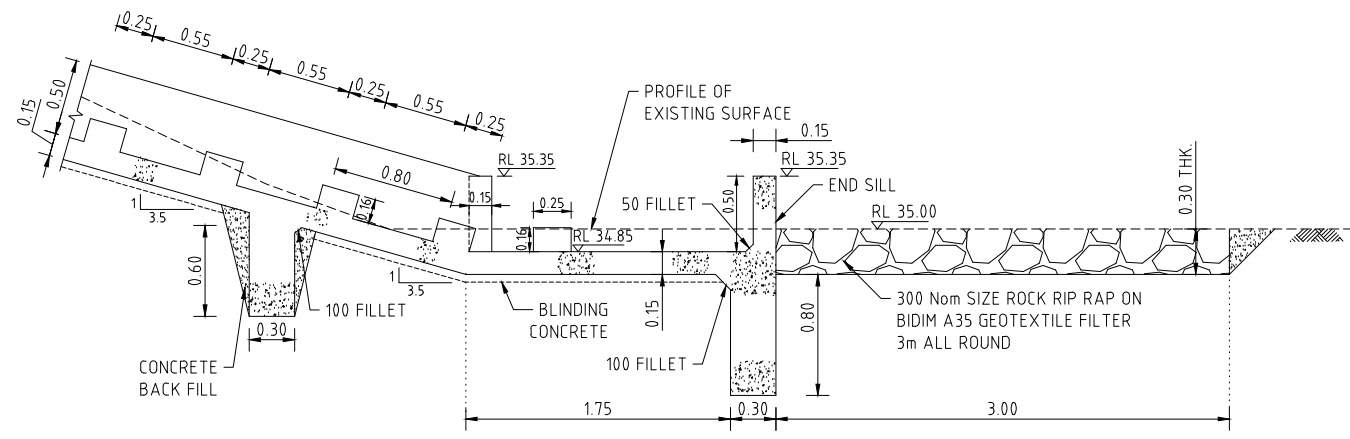
CLIENT



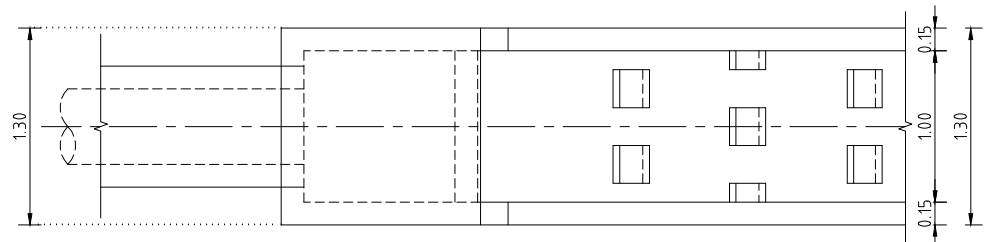
PROJECT TITLE	SCALE	DRAWING STATUS	PROJECT / DRAWING No.	ISSUE
EUROBODALLA SHIRE COUNCIL EUROBODALLA SOUTHERN STORAGE STORAGE CONSTRUCTION SPILLWAY DETAILS SHEET 2 OF 2	AS NOTED	CONCEPT	30012127-ST-3301	B



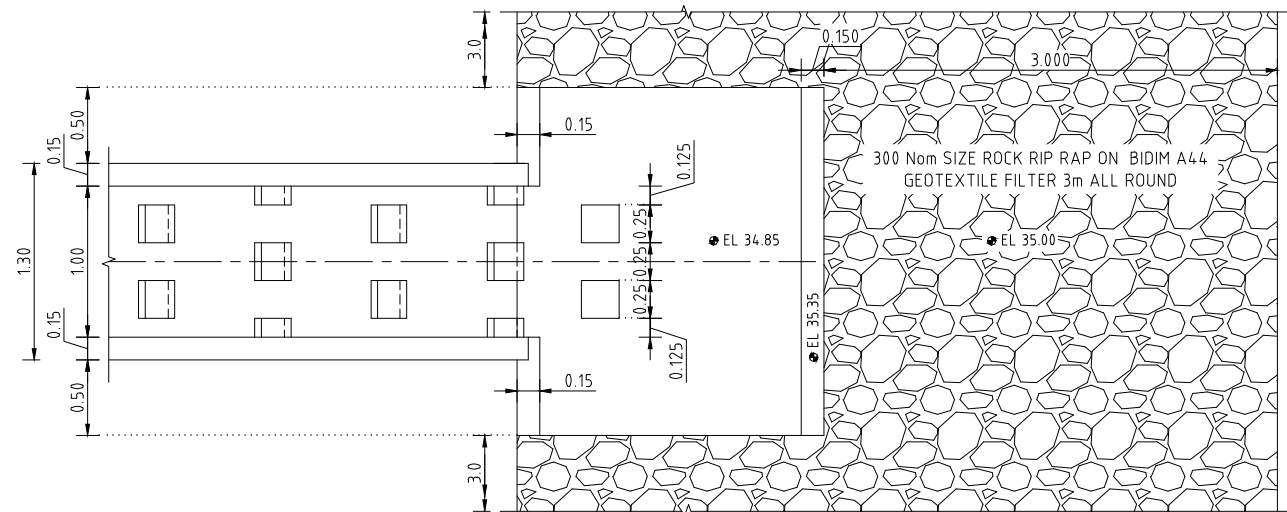
DETAIL A  
SCALE (A1) 1:AS NOTED  
ENTRANCE PIT  
EUROBODALLA INLET



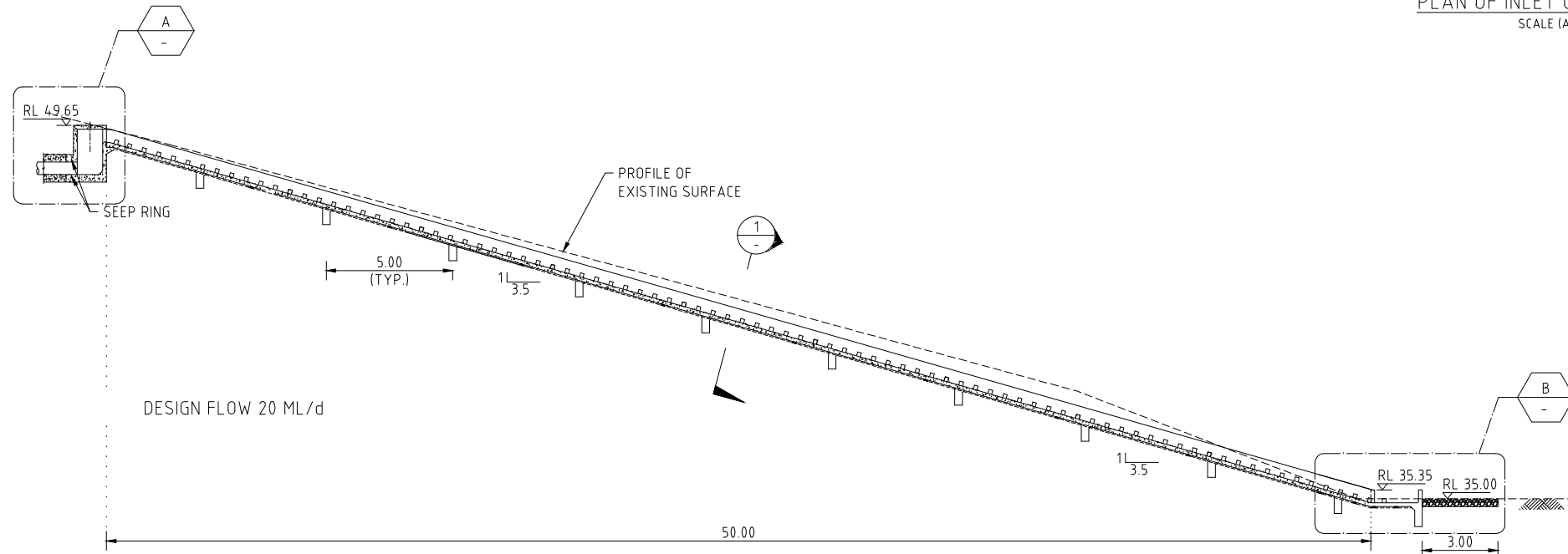
DETAIL B  
SCALE (A1) 1:25  
DETAIL OF DISSIPATOR  
EUROBODALLA INLET



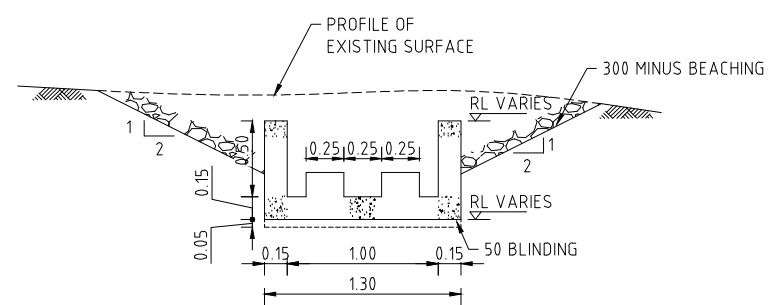
PLAN OF INLET CHUTE AT  
ENTRANCE PIT  
SCALE (A1) 1:25



PLAN OF INLET CHUTE AT EXIT  
SCALE (A1) 1:25



L-SECTION OF INLET CHUTE SPILLWAY  
SCALE (A1) 1:125



SECTION 1  
SCALE 1:25  
INLET CHUTE

- NOTES:
- ALL DIMENSIONS & LEVELS ARE IN METRES UNLESS NOTED OTHERWISE.
  - ALL CONCRETE SHALL BE 40MPa @ 28 DAYS

150 mm ON ORIGINAL

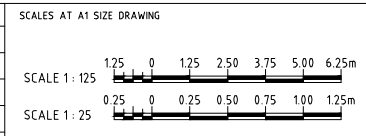
V:\\_Vault\Projects\30012127\CAD\DWG\3000\_Storage\_Construction\30012127-ST-3400.dwg

23 Jun 2017 19:30:22

ISSUE	DATE	AMENDMENT / ISSUE DESCRIPTION	APPROVAL
A	21/03/2017	ISSUED FOR CONCEPT DESIGN	RW
B	23/06/2017	ISSUED FOR CONCEPT DESIGN	RW

1. ALL CONCRETE SHALL BE 40MPa @ 28 DAYS

TITLE	NAME
DRAFTSMAN	H.ARORA
DRAFTING CHECK	J.PARISI
DESIGNER	B.EVANS
DESIGN CHECK	R.WESTMORE
PROJECT MANAGER	D.EVANS
PROJECT DIRECTOR	B.TILBURY



DESIGNER

Member of the Surbana Jurong Group

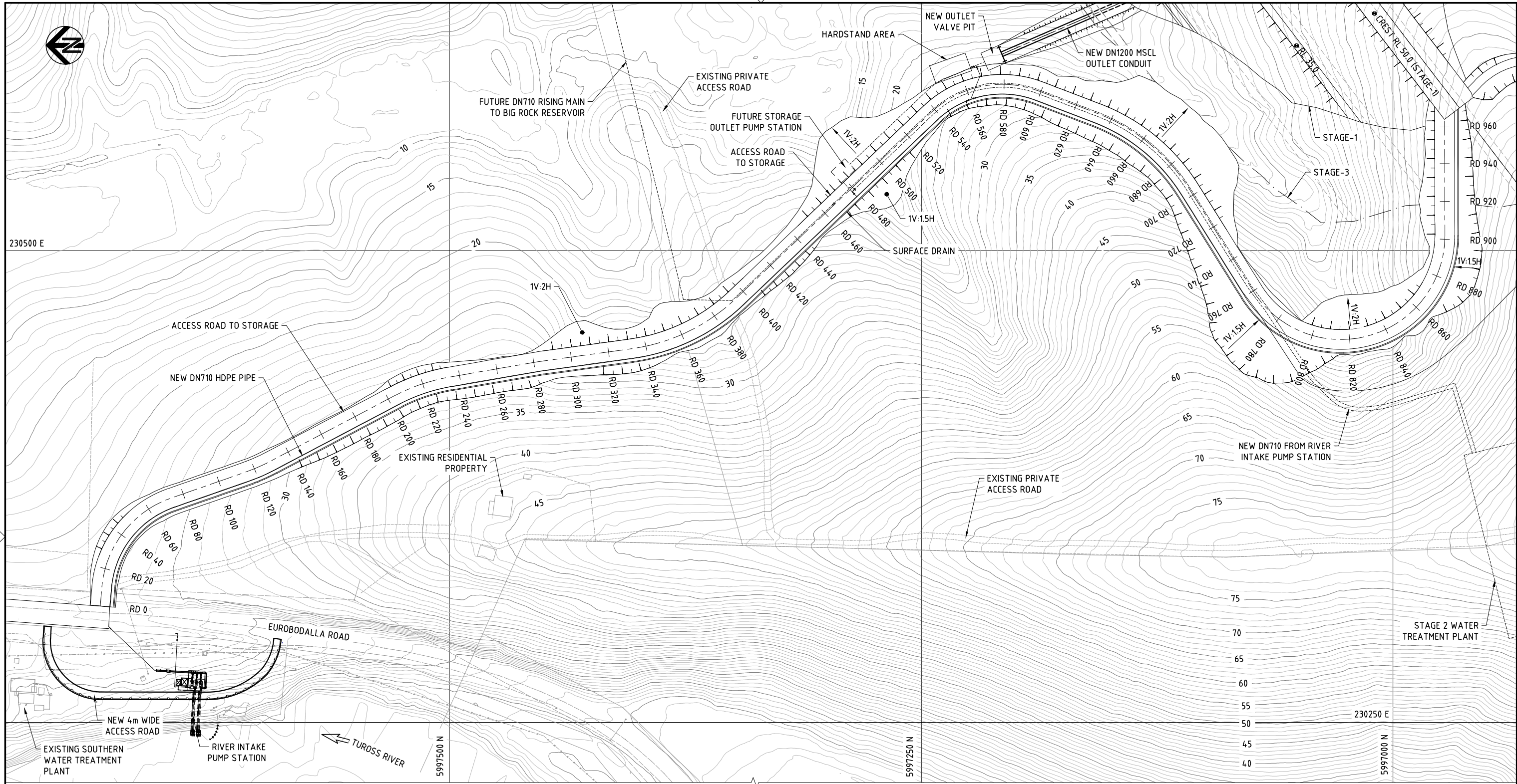
CLIENT

APPROVED DATE

PROJECT TITLE

EUROBODALLA SHIRE COUNCIL  
EUROBODALLA SOUTHERN STORAGE  
STORAGE CONSTRUCTION  
INLET CHUTE DETAILS

SCALE AS NOTED DRAWING STATUS CONCEPT PROJECT / DRAWING No. 30012127-ST-3400 ISSUE B



**ACCESS ROAD TO STORAGE PLAN**  
SCALE (A1) 1:1000

**NOTES :**  
1. ALL DIMENSIONS & LEVELS ARE IN METRES UNLESS NOTED OTHERWISE.

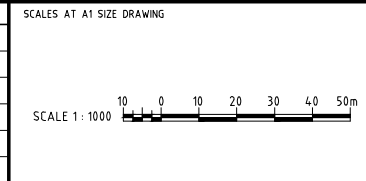
150 mm ON ORIGINAL

V:\\_Vault\Projects\30012127\CAD\DWG\4000\_Ancillary\_Works\30012127-AW-4900.dwg

29 Jan 2018 15:03:57

ISSUE	DATE	AMENDMENT / ISSUE DESCRIPTION	APPROVAL
A	21/03/2017	ISSUED FOR CONCEPT DESIGN	BB
B	23/06/2017	ISSUED FOR CONCEPT DESIGN	CP
C	29/01/2018	ISSUED FOR CONCEPT DESIGN	CP

TITLE	NAME
DRAFTSMAN	H.ARORA
DRAFTING CHECK	J.PARISI
DESIGNER	C.PURSS
DESIGN CHECK	R.WESTMORE
PROJECT MANAGER	D.EVANS
PROJECT DIRECTOR	B.TILBURY

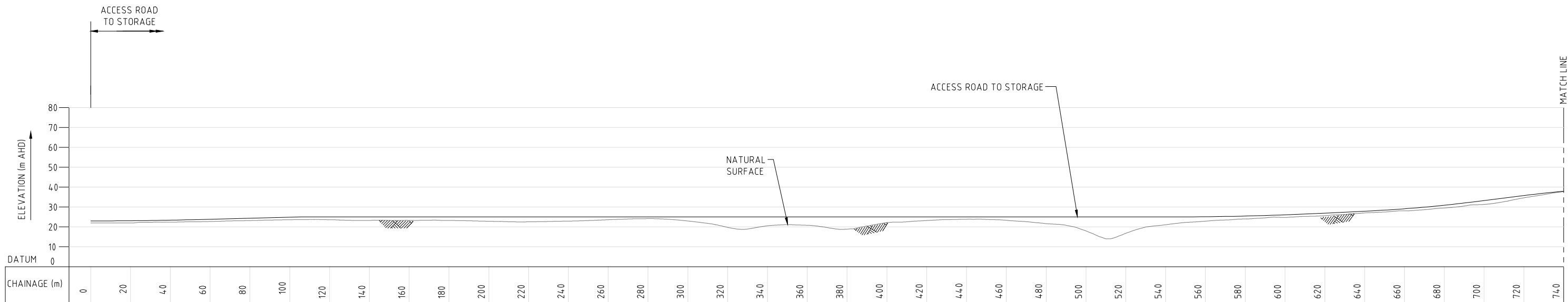


DESIGNER

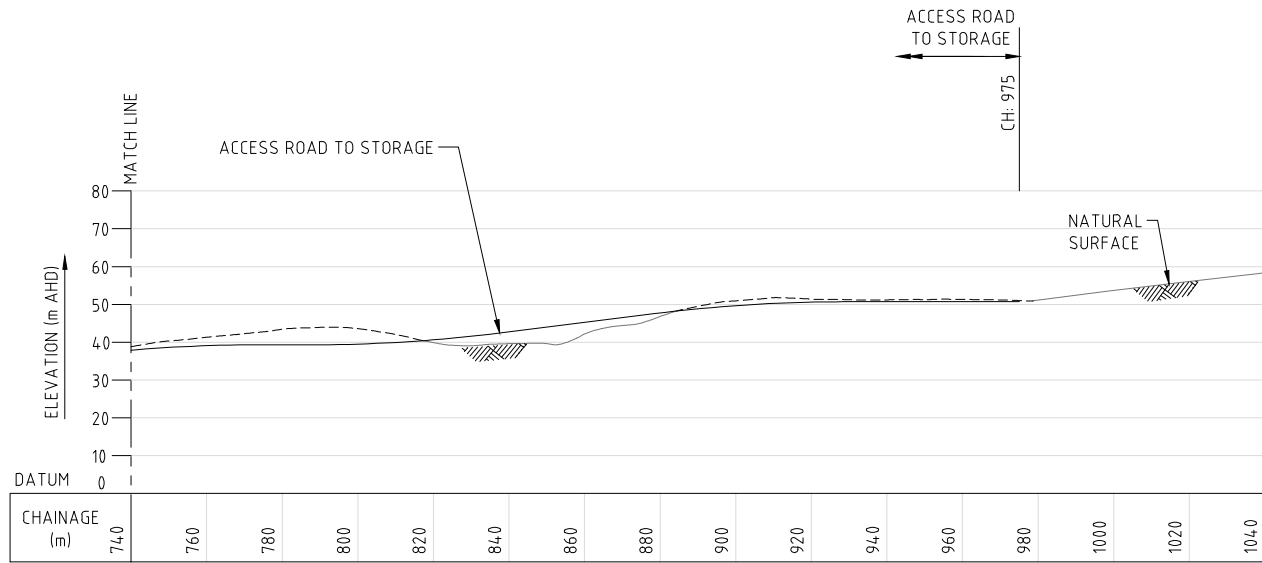
CLIENT

APPROVED \_\_\_\_\_ DATE \_\_\_\_\_

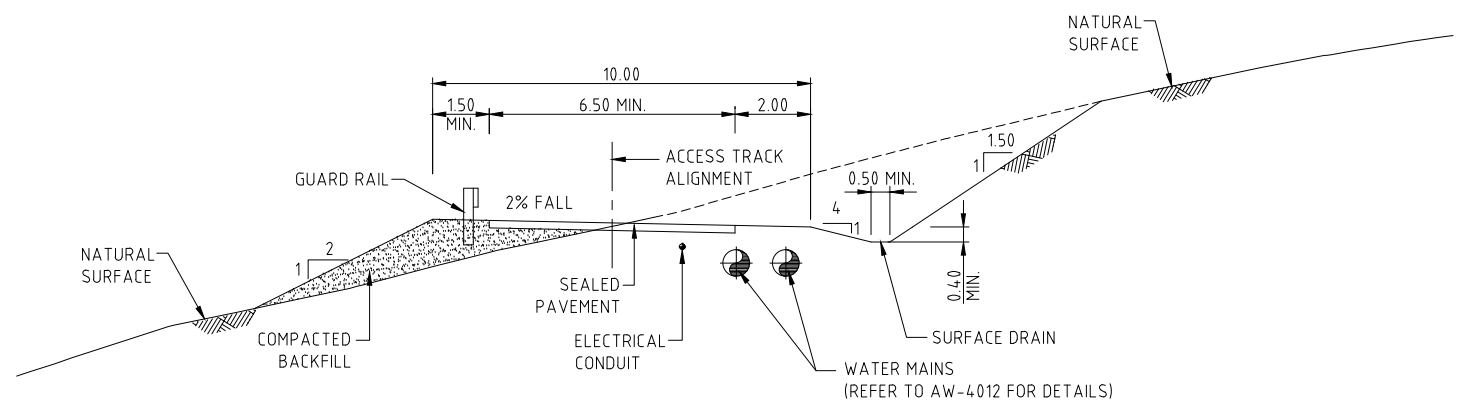
PROJECT TITLE			
EUROBODALLA SHIRE COUNCIL EUROBODALLA SOUTHERN STORAGE ANCILLARY WORKS ACCESS ROAD TO STORAGE PLAN			
SCALE	DRAWING STATUS	PROJECT / DRAWING No.	ISSUE
AS NOTED	CONCEPT	30012127-AW-4900	C



LONGITUDINAL SECTION OF ACCESS TRACK  
SCALE (A1) 1:1000



LONGITUDINAL SECTION OF ACCESS TRACK  
SCALE (A1) 1:1000



STORAGE ACCESS ROAD TYPICAL SECTION  
SCALE (A1) 1:100

NOTES:  
1. ALL DIMENSIONS & LEVELS ARE IN METRES UNLESS NOTED OTHERWISE.

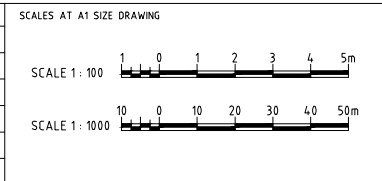
150 mm ON ORIGINAL

V:\\_Vault\Projects\30012127\CAD\DWG\4000\_Ancillary\_Works\30012127-AW-4901.dwg

23 Jun 2017 19:33:59

ISSUE	DATE	AMENDMENT / ISSUE DESCRIPTION	APPROVAL
A	21/03/2017	ISSUED FOR CONCEPT DESIGN	BB
B	23/06/2017	ISSUED FOR CONCEPT DESIGN	CP

TITLE	NAME
DRAFTSMAN	H.ARORA
DRAFTING CHECK	J.PARISI
DESIGNER	C.PURSS
DESIGN CHECK	R.WESTMORE
PROJECT MANAGER	D.EVANS
PROJECT DIRECTOR	B.TILBURY



DESIGNER

CLIENT

APPROVED \_\_\_\_\_ DATE \_\_\_\_\_

PROJECT TITLE			
EUROBODALLA SHIRE COUNCIL EUROBODALLA SOUTHERN STORAGE ANCILLARY WORKS ACCESS ROAD TO STORAGE LONG SECTION AND TYPICAL CROSS SECTION			
SCALE	DRAWING STATUS	PROJECT / DRAWING No.	ISSUE
AS NOTED	CONCEPT	30012127-AW-4901	B